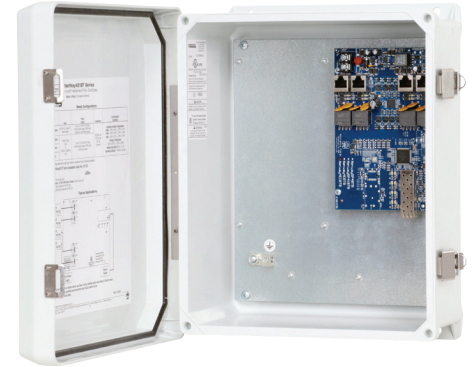


NetWay4E1BTWPN

4-port Outdoor Hardened 802.3bt 4PPoE Switch



Altronix NetWay4E1BTWPN supports up to 90W per port (280W total power) for deploying the latest high-powered IP devices in remote locations. It is equipped with one (1) 1Gb SFP port to transmit data at long distances and four (4) 802.3bt compliant Ethernet ports. NetWay4E1BTWPN accommodates single/multi-mode fiber or composite cable (fiber+copper) to simultaneously deliver power and data from NetWay Spectrum head-end media converters/injectors.



NetWay4E1BTWPN

For managed switch see model NetWay4EBTWPN.

Key Features

- External 48-55V UL Listed ITE power supply required
- IEEE 802.3af, 802.3at, 802.3bt compliant
- Four (4) 10/100/1000 Mbps Ethernet ports rated at 90W each (limited to 320W total power)
- One (1) Gigabit SFP port
- PoE activity LED indicators
- CE European Conformity
- NEMA 4/4X, IP66-11 enclosure

Similar products

NetWay4E1BTWPX	Outdoor 4-port Hardened 4PPoE Switch with Integral Power in NEMA 4/4X, IP66-11 enclosure which accommodates stand-by batteries
NetWay4E1BTWP	Outdoor 4-port Hardened 4PPoE Switch with Integral Power in NEMA 4/4X, IP66-11 enclosure
NetWay4E1BTX	4-port Hardened 4PPoE Switch with Integral Power in NEMA 1 Rated indoor enclosure
NetWay4E1BTPL	4-port Hardened 4PPoE Switch on a Backplane
NetWay4E1BTB	4-port Hardened 4PPoE Switch (board only)

Lifetime Warranty

NetWay4E1BTWPN

4-port Outdoor Hardened 802.3bt 4PPoE Switch



Specifications

Input	48V-57V (UL Listed ITE power supply)
Output	Four (4) 10/100/1000 Mbps Ethernet ports rated at 90W each, (limited to 320W total power) IEEE 802.3af, 802.3at, 802.3bt compliant
SFP Ports:	One (1) Gigabit SFP port.
Ethernet Ports:	Four (4) 10/100/1000 Mbps ports Connectivity: RJ45, auto-crossover Wire type: 4-pair CAT5e or higher structured cable Speed: 10/100/1000 Mbps, half/full duplex, auto negotiation

Indicators (LED)

- Individual PoE On LEDs for each port
- Individual IP Link status, 10/100/1000 Base-T/active LEDs for each port
- ALOS LED indicates fiber connection for SFP port
- Heartbeat LED indicates proper operation of the unit

Agency Listings

CE European Conformity

Physical and Environmental

Dimensions (H x W x D)

Enclosure:	13.31" x 11.31" x 5.59" (338.1mm x 287.3mm x 142mm)
Shipping:	20.25" x 12.5" x 7.25" (514.4mm x 317.5mm x 184.2mm)

NEMA 4/4X, IP66-11 Rated enclosure for outdoor use

Weight (approx.)

Product:	7.7 lb. (3.49 kg)
Shipping:	10.0 lb. (4.54 kg)

Operating:

240W:	- 30°C to 55°C (- 22°F to 131°F)
180W:	- 30°C to 65°C (- 22°F to 149°F)
150W:	- 30°C to 75°C (- 22°F to 167°F)

Storage:

- 30°C to 85°C (- 22°F to 185°F)

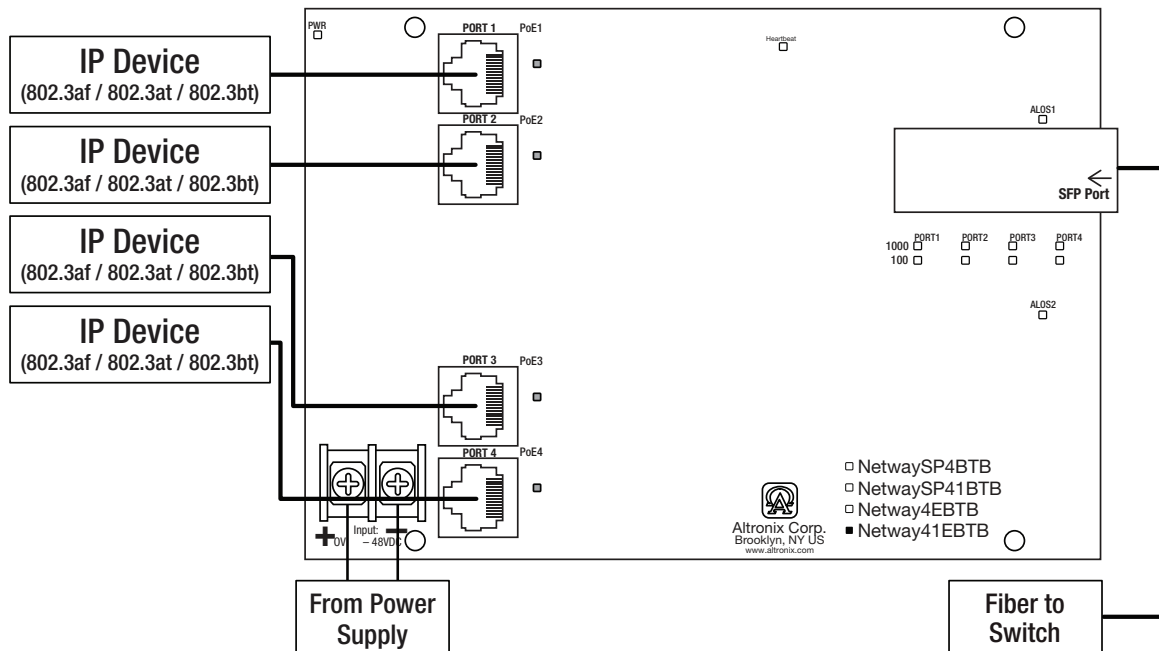
Relative Humidity

85% +/- 5%

Operating Altitude:

- 304.8 to 2,000m

Typical Application



Lifetime Warranty

NetWay4E1BTWPN

4-port Outdoor Hardened 802.3bt 4PPoE Switch



Power Sourcing Equipment and Accessories (order separately)



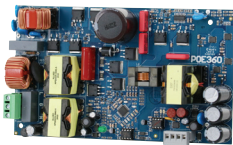
- 4-port Ethernet over Fiber Media Converters for Applications Utilizing Composite or Conventional Cabling**
- NetWaySP4** Unit passes a maximum power up to 120W per port (240W total power) from a Power Supply or Midspan Injector. Four (4) 1Gb SFP ports.
- NetWaySP4P** Unit provides a maximum power up to 120W per port (240W total power) from a built-in Power Supply/ Charger. Four (4) 1Gb SFP ports.
- NetWaySP4P2** Unit provides 56VDC power-limited 60W max. per port (240W total power) from a built-in Power Supply/Charger. Four (4) 1Gb SFP ports.



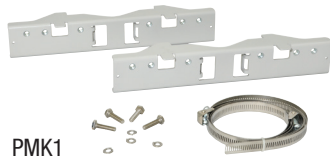
- SFP Modules - Hot Pluggable Transceivers**
- P1MM** Multi-Mode SFP Module for distances up to 550m
- P1SM10** Single-Mode SFP Module for distances up to 10km
- P1AB2K** Single Strand SFP Module for distances up to 2km
- P1GCE** Copper SFP Module for distances up to 100m



NetWaySP1A
Ethernet over Fiber Media Converter/Repeater for Applications Requiring an Additional SFP (Fiber) Port
 NetWaySP1A PoE powered media converter/repeater converts 10/100/1000 Mbps to Fiber (1000Base-X/SX/LX).



- PoE Power Supplies**
- POE240 - 240W Power Supply/Charger**
 Provides 240W for NetWay Spectrum switches.
 It also features a built-in charger for Lithium Iron Phosphate or sealed lead acid batteries.
- POE360/POE367 - 360W Power Supply/Charger**
 Provides 360W for NetWay Spectrum switches.
 It also features a built-in charger for sealed lead acid or gel type batteries.



PMK1 - Pole Mount Kit
 PMK1 pole mount kit is designed to simplify installation of outdoor units. It accommodates 2" - 8" (diameter) poles.



Lock1WP - Pad Lock for Altronix Outdoor Enclosures
 Altronix Lock1WP is a pad lock to secure the latches on Altronix outdoor enclosures. Includes a single pad lock and two (2) keys.



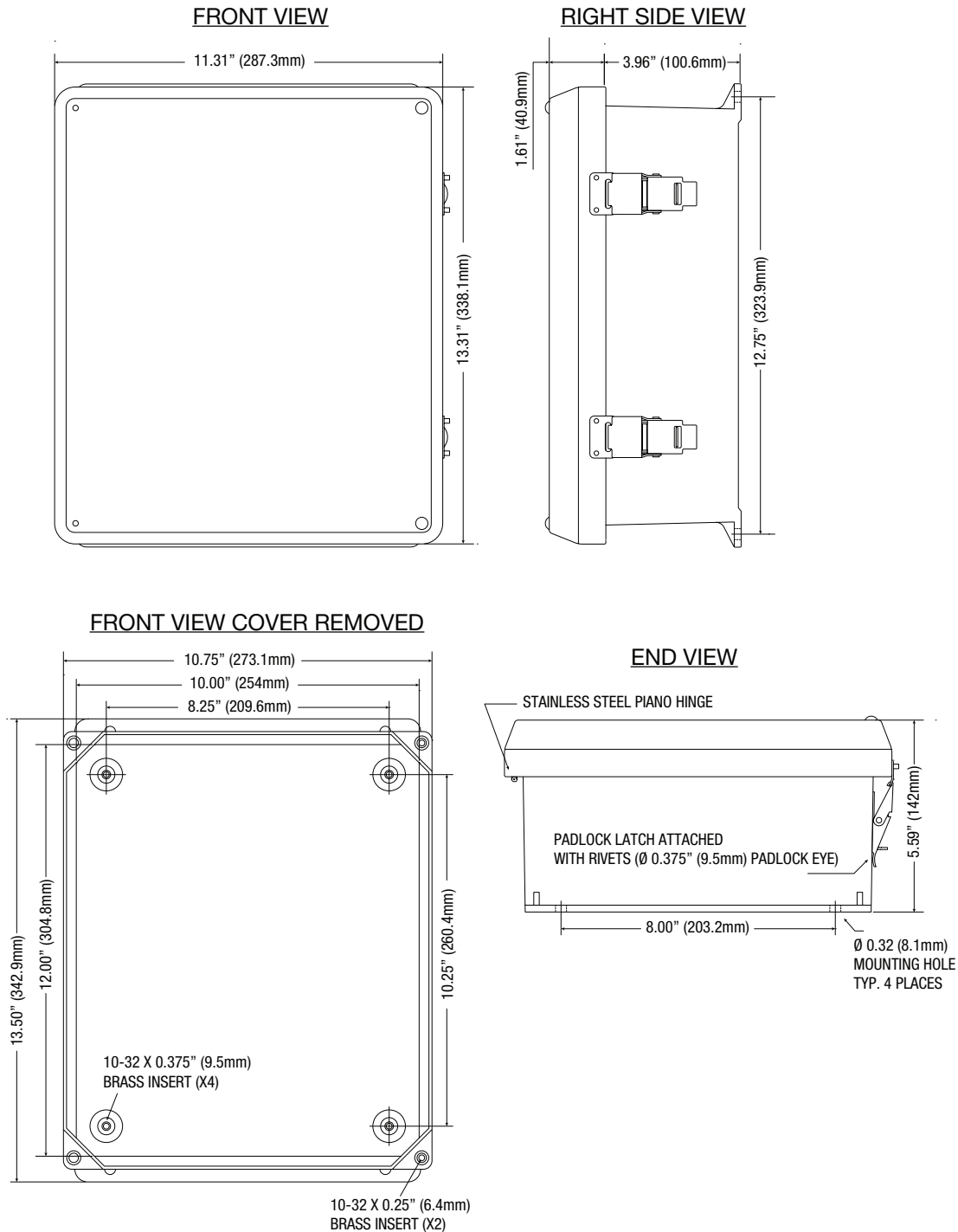
WG1 - NEMA Rated Wire Gland Inlet
 Altronix WG1 facilitates wiring for all Altronix outdoor enclosures.

Lifetime Warranty

Dimensions and Drawing

Dimensions (H x W x D approximate)

13.31" x 11.31" x 5.59" (338.1mm x 287.3mm x 142mm)



Lifetime Warranty

Altronix Corporation | 140 58th St | Brooklyn, NY 11220 USA

phone: +1 718.567.8181 | fax: +1 718.567.9056 | email: info@altronix.com | www.altronix.com