

NetWaySP4P Series

4-port Media Converters with Integral Power Supply/Chargers
For Composite Fiber (Powered) Cable Application



Altronix NetWaySP4P Series provide four (4) 1Gb SFP ports and four (4) power outputs (240W total power) to be transmitted over single, multi-mode fiber as well as composite cable (fiber + copper combined) to NetWay Spectrum PoE hardened switches.



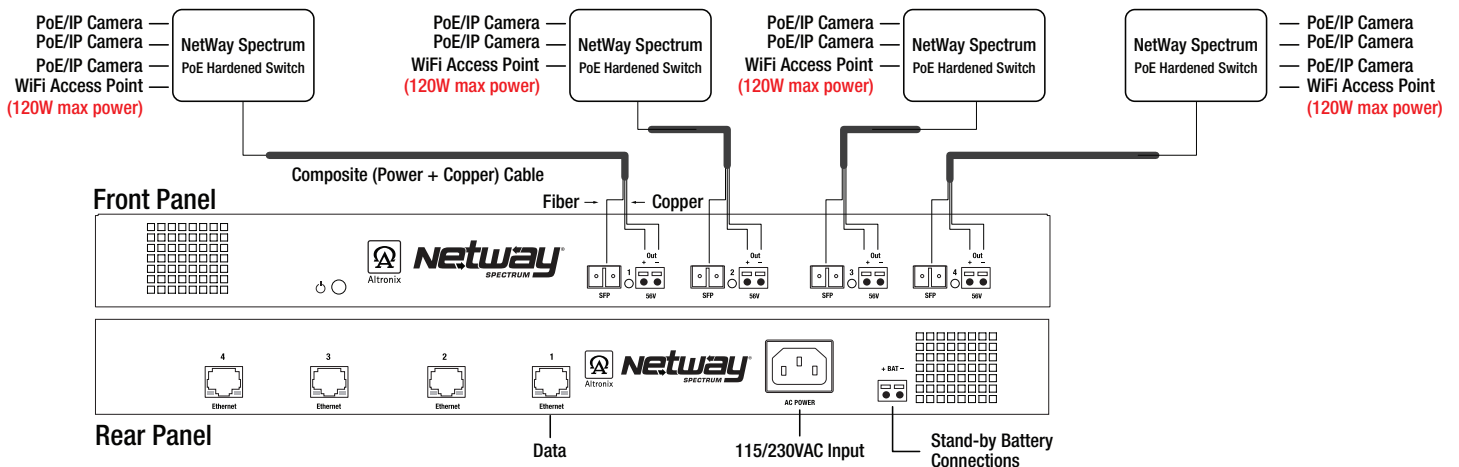
Key Features

- IEEE 802.3af, 802.3at and 802.3bt compliant
- Four (4) 1Gb SFP ports
- 240W total power (see reference chart below for output power)
- PoE activity and power LED indicators
- Built-in charger for sealed lead acid or gel type batteries
- Automatic switchover to stand-by battery when AC fails
- 1U rack mount chassis
- UL Listed in the U.S. and Canada
- CE European Conformity

NetWaySP4P Series Reference Chart

Altronix Model Number	Maximum Output per Port	Power-Limited Outputs	Number of SFP Ports	115VAC 60Hz Input Current	230VAC 50/60Hz Input Current
NetWaySP4P	120W	—	4	3.25A	2A
NetWaySP4P2	60W	4			

Typical Application



Lifetime Warranty

NetWaySP4P Series

4-port Media Converters with Integral Power Supply/Chargers
For Composite Fiber (Powered) Cable Application



Specifications

Input

Voltage 115VAC, 60Hz, 3.25A or 230VAC, 50/60Hz, 2A

Output

Four (4) power outputs with 240W total power
NetWaySP4P: 120W max per output
NetWaySP4P2: 60W max per output (Class 2)
IEEE 802.3af, 802.3at and 802.3bt compliant
Integral surge protection

SFP Ports:

Four (4) 1Gb SFP ports

Ethernet:

Four (4) Gigabit (1000Mbps) ports
Wire type: 4-pair CAT5e and higher
Connectivity: RJ45, auto-crossover
Speed: Gigabit (1000Mbps)
Distance: up to 100m

Indicators (LED)

Individual Power LEDs for each port
Individual IP Link status,
10/100 Base-T/active LEDs for each Ethernet port

Battery Charging

Type Sealed lead acid or gel type
Failover Upon AC loss, instantaneous
Batteries are sold separately

Agency Listings

UL/cUL UL60950-1
(Information Technology Equipment)
CE European Conformity

Physical and Environmental

Dimensions (W x L x H)

Enclosure: 1.625" x 19.125" x 8.5" (41.3mm x 486mm x 216mm)
Shipping: 20.25" x 12.5" x 5.5" (514.4mm x 317.5mm x 139.7mm)

Weight (approx.)

Product: 3.81 lb. (1.72 kg)
Shipping: 6.0 lb. (2.72 kg)

Temperature

Operating (120W): -40°C to 50°C (-40°F to 122°F)
Storage: -40°C to 85°C (-40°F to 185°F)

Relative Humidity

85% +/- 5%

Operating Altitude

-304.8 to 2,000m

BTU/Hr (approx.):

123 BTU/Hr.

Compatible NetWay Spectrum Switches



NetWay4EWPN

NetWaySP1BTWPN	3-PoE (802.3bt) ports, single SFP port
NetWaySP3WPN	3-PoE ports, single SFP port
NetWay4EWPN	4-PoE ports, single SFP port
NetWay4E1WPN	4-PoE ports, single SFP port
NetWaySP4WPN	4-PoE ports, 2-SFP ports
NetWaySP4BTWPN	4-PoE (802.3bt) ports, 2-SFP ports
NetWaySP8WPN	8-PoE ports, 2-SFP ports

Accessories (order separately)



SFP Modules - Hot pluggable Transceivers

P1MM	Multi-Mode SFP Module for distances up to 550m
P1SM10	Single-Mode SFP Module for distances up to 10km
P1AB2K	Single Strand SFP Module for distances up to 2km
P1GCE	Copper SFP Module for distances up to 100m



RE2

RE2 - Rack Mount Battery Enclosure

Accommodates up to four (4) 12VDC/7AH batteries

Lifetime Warranty

NetWaySP4P Series

4-port Media Converters with Integral Power Supply/Chargers
For Composite Fiber (Powered) Cable Application



Dimensions and Drawing

Dimensions (W x L x H approximate)
1.625" x 19.125" x 8.5" (41.3mm x 486mm x 216mm)



Lifetime Warranty