

Installation Guide

Overview:

Altronix DNP1 DIN Rail Mounting Plate allows for easy installation of Altronix Power Supplies and sub-assemblies onto a standard 35mm DIN rail such as Altronix D10, D12, D19 or D24.

Compatible Altronix Models:

| | |
|------------------------------|---|
| Power Supply/Chargers | AL100ULB, AL175ULB, AL176ULB |
| Sub-Assemblies | PD4UL(CB), PD8UL(CB), PD16W(CB), MOM5, PDS8(CB), PDS16(CB) ACM4(CB), ACM8(CB), ACMS8(CB), ACMS12(CB) VR6, VR10 NetWay5A, NetWay5B, NetWay5P(Q), LINQ8PD(CB), LINQ8ACM(CB) Pace4KL, Pace4KR(Q) |

Installation Instructions:

1. Attach DIN rail mounting clip to DNP1 as shown on *Fig. 1* below.
DNP1 allows for vertical or horizontal DIN Rail mounting
2. Secure Altronix power supply or sub-assembly to the DNP1 using included 5/8" spacers and screws.
3. Attach DNP1 to the DIN rail as shown on *Fig. 2* below.

Fig. 1

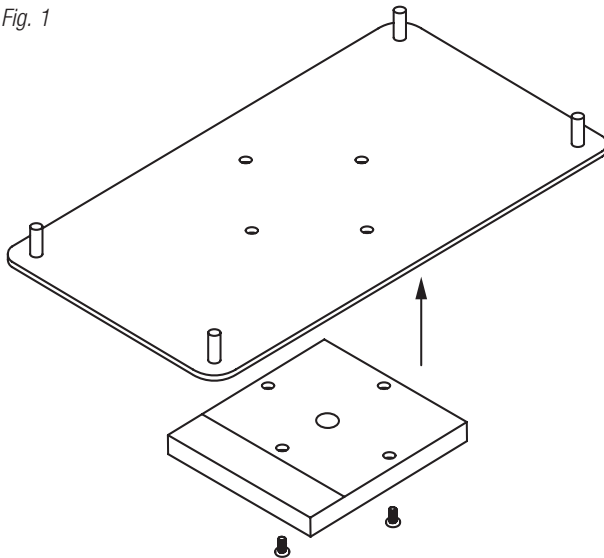


Fig. 2

